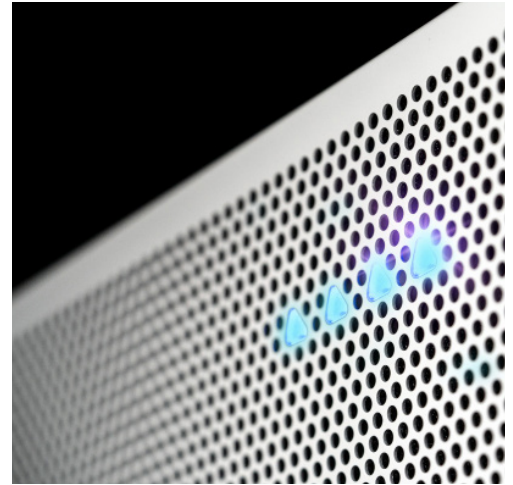


COLLABORATE® Versa™ Pro CT



An unbeatable new product offering that includes a Huddle CTH audio DSP and the new Huddle-compatible and patented BMA CTH that is a perfect fit for small-to medium-sized rooms.

Impeccable Room Coverage with AEC
BMA CTH with built-in AEC, provides the same impeccable room coverage as the BMA CT using adaptive steering (think of it as smart switching).

- > Great room solution for BYOD collaboration using any cloud-based collaboration service such as COLLABORATE® Space, Microsoft® Teams, WebEx™, Zoom™, and more.
- > BMA CTH with built-in AEC, provides the same impeccable room coverage as the BMA CT using adaptive steering (think of it as smart switching).
- > Includes mic/line inputs with AEC, line outputs, 4x10 Watt power amps, USB audio, mobile phone jack, and HDMI.
- > Comes preloaded with a project file ready for the most common room configuration.
- > Configure using CONSOLE® AI software's enhanced visualization and audio intelligence.
- > Now, configure Versa Pro CT directly through the USB port, or use network Ethernet jack.
- > Monitor, control, and audit Versa Pro CT with CONVERGENCE™ unified AV network management software.
- > With a rich mix of video and audio options, the Versa Pro CT is versatile, flexible, and easy to install.
- > There is no system in the market today that can compete with the Versa Pro CT on price, features, coverage, and quality.

APPLICATIONS:

- Audio conferencing
- Video conferencing
- BYOD conferencing

WORKSPACES:

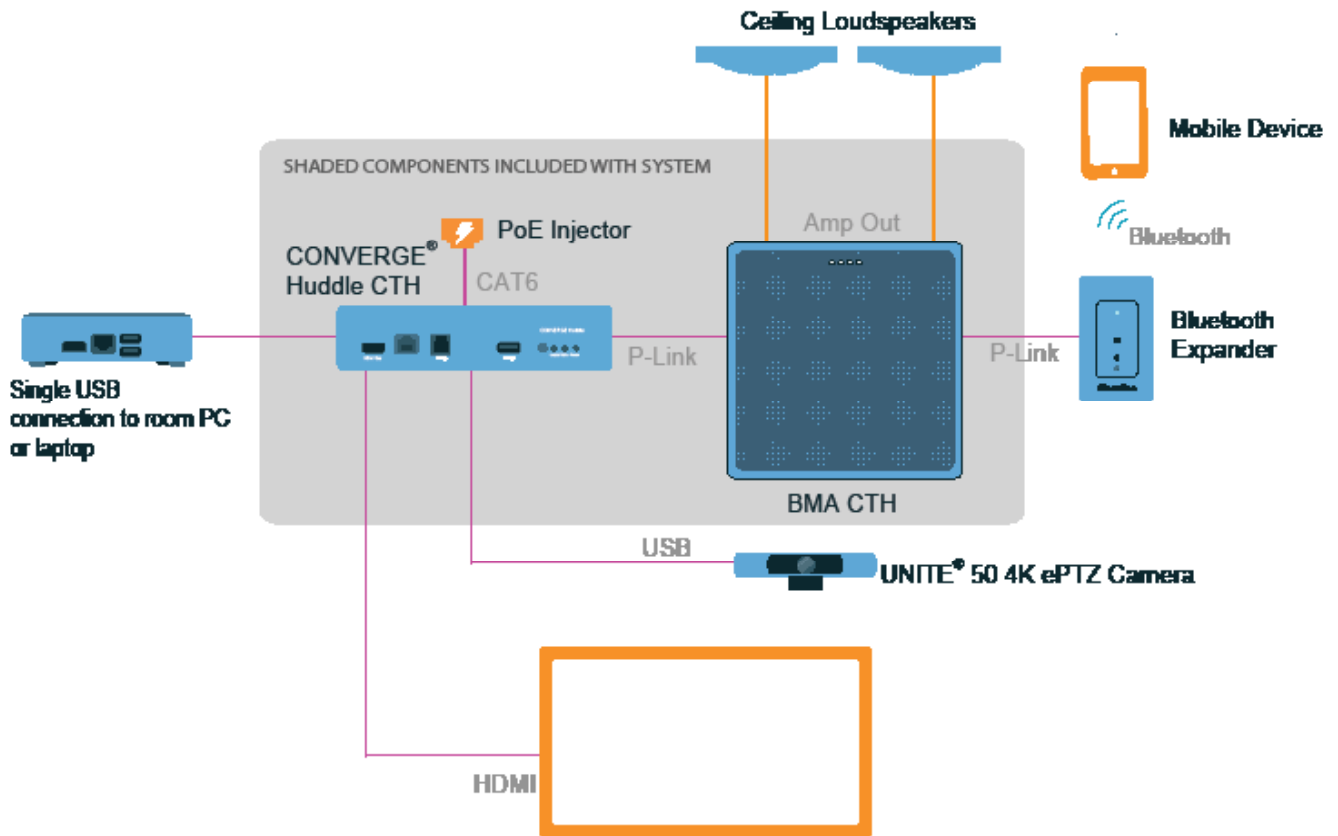
- Small-to medium-sized rooms
- Boardrooms



Add Your Choice of Peripherals
Add ClearOne's Wall-Mount Bluetooth Expander and UNITE® cameras to complete your collaboration system.

Great Ideas Need to be Seen and Heard™

Versa Pro CT using Room PC, with optional ClearOne peripherals— UNITE® 50 4K ePTZ camera, Wall-Mount Bluetooth Expander, and ceiling loudspeakers



COLLABORATE[®] Versa[™] Pro CT

INCLUDES

- **CHOICE OF BMA CTH**
 - BMA CTH 24in
 - BMA CTH 600mm
- CONVERGE[®] Huddle CTH
- PoE Injector Kit

NOTE: See Component Datasheets for Full Specs

BMA CTH

24 MICROPHONES

- Number of Beams: Two patterns, either 5 or 6 beams
- Polar Pattern: Custom
- Frequency Response: 150Hz – 16kHz, +/- 3dB
- Dynamic Range: 150Hz – 16kHz, > 70dB

AMPLIFIER OUTPUT

- Type: 5.08mm Black Header, Male, Phoenix type Euroblock
- Audio: 2 channels
- Output Power: 2x10W Max, 8Ω load*
- Frequency Response: 20Hz – 22kHz @ +10dBu, +/- 0.5dB
- THD + Noise: 20Hz – 22kHz @ +10dBu, 1W, < 0.2%
- Dynamic Range: 20Hz – 22kHz @ +20dB, > 102dB, with 20kHz digital low pass filter
- Crosstalk: Channel to Channel, stimulus at +20dBu receptor 10W output 8Ω load, 20Hz – 22kHz, < -60dB

LED

- 4 LED indicators on one end of unit:
- Mute/Un-mute configuration with 8 color options, two blink patterns and warning indications

CONFIGURATION

- Beam enable/disable
- Acoustic Echo Cancellation (AEC) on/off
- Noise Cancellation (NC) on/off
- Filters: All Pass, Low Pass, High Pass, Notch, PEQ
- Automatic Level Control (ALC) on/off
- Gain adjust
- Mute on/off
- Auto gate/Manual gate

P-LINK PERIPHERAL BUS

- Ports labeled as “Expander” on Huddle Chassis, and “P-Link” on BMA CTH
- P-Link In & Out: Proprietary Network
 - Ports Type: RJ-45
 - Cable: RJ45 Cat5e, Cat6, Expandable
 - Distance: Up to 200 ft.

POWER SELECTION SWITCH

- Type: Slide Switch
- Slide toward P-Link to power device by P-Link
- Slide toward PoE to power device by PoE Injector

CONFIGURATION & ADMINISTRATION SOFTWARE

- CONSOLE[®] AI Software

MOUNTING

- Ceiling mount (24” or 600mm drop-ceiling grid)

POWER & THERMAL

- Power Type: PoE
- Port Type: RJ-45
- Power Source: PoE Injector or equivalent
- PoE: IEEE 802.3at compliant devices providing 56V and 640 mA (36 W).
- P-Link In - Mode B
- PoE In - Mode A and Mode B
- *BMA CTH requires its own PoE (IEEE 802.3 at compliant) if 2x10W speakers are driven
- Power Consumption:
 - 100-240VAC, 50/60Hz
 - 9.1 Watt typical without speaker amp
 - 38W at max power 1kHz (2 x 10W)
 - Thermal: 130 BTU/Hr at max power
 - Operating Temperature: 14° F/-10° C to 104° F/40° C ambient temperature

DIMENSIONS

- 24” BMA CTH
 - 23.72 x 23.72 x 2.13” (602.5 x 602.5 x 54.1mm)
- 600 mm BMA CTH:
 - 23.33 x 23.33 x 2.13” (592.5 x 592.5 x 54.1 mm)

WEIGHT

- BMA CTH - 7.7lbs (3.5kg)

COLLABORATE® Versa™ Pro CT

CONVERGE HUDDLE CTH

INPUTS

- 3 channel balanced audio mic/line inputs with AEC
- 1 channel balanced audio line input without AEC
- 3.81mm orange-color Phoenix/Euroblock type male header, push-on mini-terminal block

LINE OUTPUTS

- 2-channel balanced audio line outputs, 3.81mm black-color Phoenix/Euroblock type male header, push-on mini-terminal block
- 1 USB 3.0 Type-B
- 1 USB 3.0 Type-A
- RJ-45, 10/100/1000Mbps, passthrough to USB-B 3.0

AMPLIFIER OUTPUT

- Type: 5.08mm Black Header, Male, Phoenix type Euroblock
- Speaker Output Port: Dual binding posts
- Audio: 2 Channels
- Output Power: 10W Max, 8Ω load
- Frequency Response: 20Hz – 22kHz @ 10dBu, +/- 0.5dBu
- THD + N (Total Harmonic Distortion + Noise):
- 20Hz – 22kHz @ 10dBu, 1W, <0.3%
- Dynamic Range: 20Hz – 22kHz @ 20dB, >102dB with 20kHz digital low pass filter
- Crosstalk (Mic/Line): Channel to Channel, stimulus at 20dBu to receptor, < -70dB

DIMENSIONS

- CONVERGE HUDDLE
- 7.52" x 7.83" x 1.73" (191mm x 199mm x 44mm)

WEIGHT

- CONVERGE HUDDLE - 2.9 lbs (1.32 kg) approx.

POWER OVER ETHERNET (PoE) REQUIREMENTS

- If no built-in amps used on either the Huddle DSP or BMA CTH, only 1 PoE+power supply is required for all 3 devices.
- If built-in amps on Huddle DSP and/or BMA CTH are used, two PoE+power supply units will be required; one for the Huddle DSP, one for the BMA CTH.
- No additional PoE+power supplies are required for use of the Bluetooth Expander

BMA CTH MOUNTS FOR NON-TILE CEILINGS

- 910-3200-210 BMA Surface-Mount Kits 24in
- 910-3200-210-I BMA Surface-Mount Kits 600mm
- 910-3200-212 BMA Recessed-Mount Kits 24in
- 910-3200-212-I BMA Recessed-Mount Kits 600mm

PART NUMBERS

930-3200-206-U - COLLABORATE Versa Pro CT

INCLUDES

- 910-3200-206-U BMA CTH 24in
- 910-3200-706 CONVERGE® Huddle CTH
- 910-3200-202 PoE power supply kit

930-3200-010-I - COLLABORATE Versa Pro CT Intl

INCLUDES

- 930-3200-206-I BMA CTH 600mm
- 910-3200-706 CONVERGE® Huddle CTH
- 910-3200-202 PoE power supply kit

SALES AND INQUIRIES

Headquarters

5225 Wiley Post Way
Suite 500
Salt Lake City, UT 84116

US & Canada

Tel: +1.801.975.7200

International

Tel: +1.801.975.7200

Sales

Tel: +1.801.975.7200
sales@clearone.com

TechSupport

Tel: +1.801.974.3760
audiotechsupport@clearone.